

# Sightmaster Pro

Patent No. PCT/TR09/000148

## Striking 'all black' snapframe poster sign

- Front-opening aluminium snapframes for quick and easy poster change
- Water-fillable LLDPE base for optimum stability
- Built-in wheels for ease of movement
- Heavy duty mounts ensure stability by allowing panel deflection in the wind
- Anti-glare PET poster covers ensure clarity of message
- Soft round corners for safety



**In stock**  
A1



**10 minutes to assemble and fill base**



### Recyclable

Aluminium frames, PET poster covers, LLDPE base and fluted polypropylene back panel



### Bases available with printed logos

- Up to 5-colour designs possible (Pantone)
- Maximum print area: 150mm (w) x 45mm (h)
- Available made to order (4/5 week lead time)
- Minimum order quantities apply



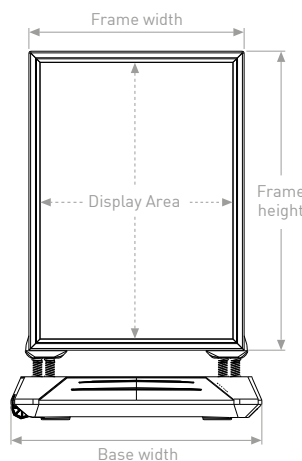
Front-opening snapframes for quick and easy poster change



Water-fillable base for optimum stability



Built-in wheels for ease of movement



Poster Size	Display Area (mm)	Dimensions (mm)			Weight (kg)		Availability	Order Code
		Base (w x d)	Frame (w x h)	O/A Height	Packaged	Assembled Empty/Full		
A1	586 x 833	720 x 580	666 x 913	1165	14.9	11.5/41.5	In stock	ECWWMA1MFB + ECWWMA1MBB
A0	833 x 1181	900 x 630	913 x 1261	1510	20	16.6/53.1	Made to order	UTWM/USWPA0
20" x 30"	500 x 754	720 x 580	580 x 834	1085	14.6	11.2/41.2		UTWM/USWP23
30" x 40"	754 x 1008	900 x 630	834 x 1088	1340	20	16.6/53.1		UTWM/USWP34
500 x 700mm	492 x 692	720 x 580	572 x 772	1020	14.3	10.9/40.9		UTWM/USWPB2
700 x 1000mm	692 x 992	900 x 630	772 x 1072	1320	19.1	15.7/52.5		UTWM/USWPB1